



UNIDECOR
Brochure

Residential Las Estancias, MX



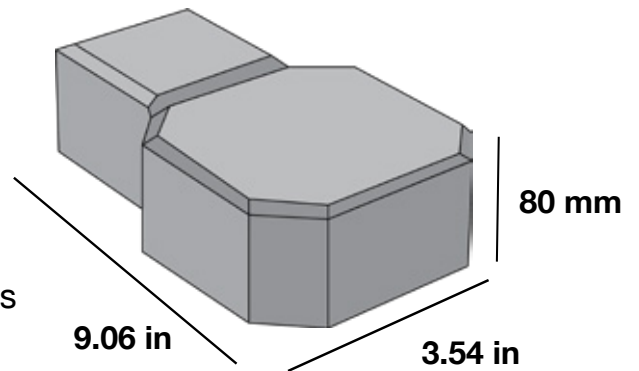


UNIDECOR

Provides a long lasting shape ideal for all your busy transited areas

Benefits

- * Color can be modified and customized to fit any project's design
- * Shape, joints and color guaranteed to withstand heavy use, any weather conditions and UV light
- * Suitable for any setting: patios, driveways & sidewalks



Technical Information

Pallet: 360 units

Pallet Coverage: 104.72 ft²

Units per ft²: 3.44 units/ft²

Unit Weight: 10.14 lbs/unit

Compressive Strength: 10,000 psi

Absorption per Unit: < 7%

Application: Pedestrian and Medium to Heavy Vehicular Traffic Use

Available Colors



01

01-L

91-AB

71-CL

71

66-CL

80

62

41



31

51

53

81

29

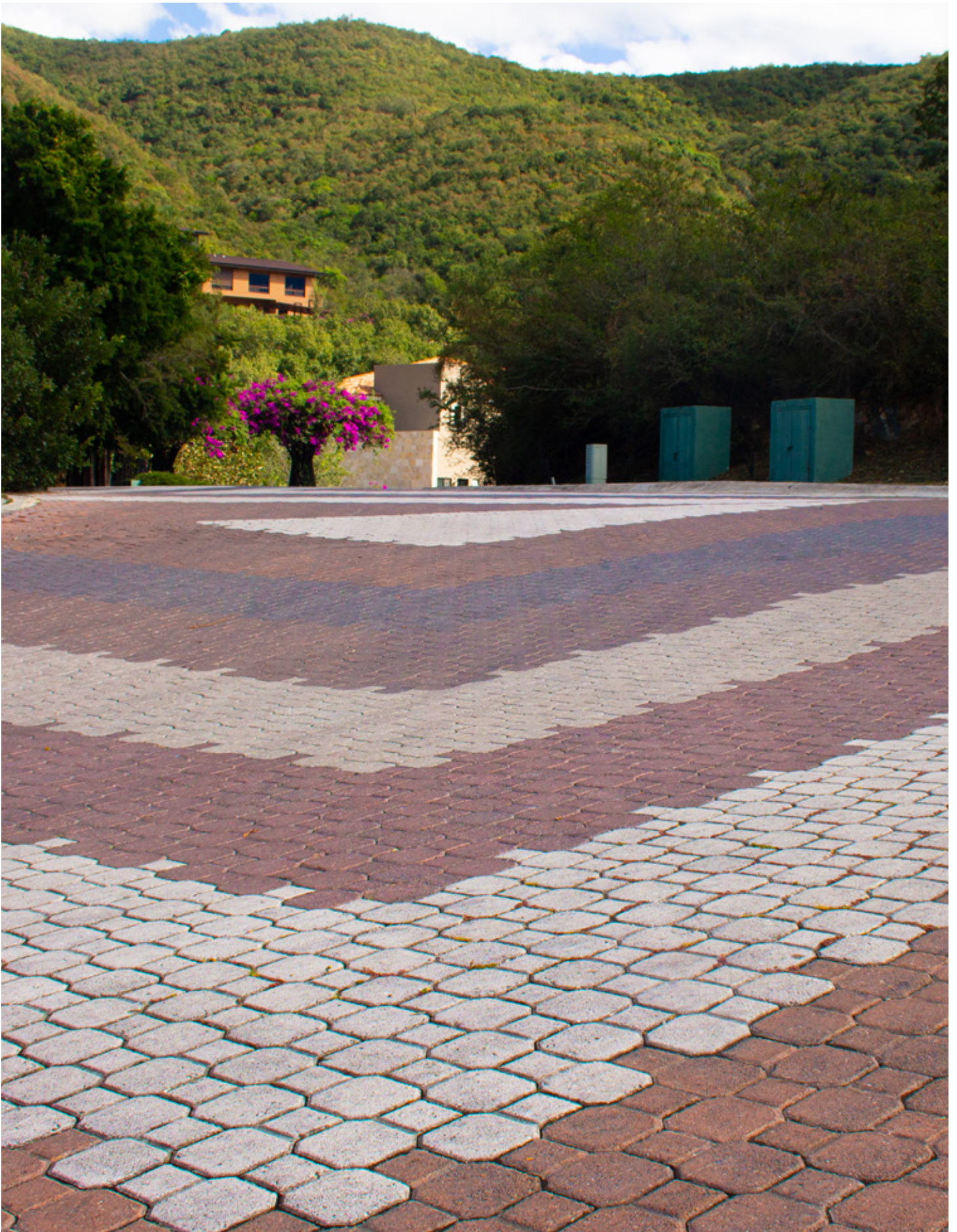
21

91

91-D



Residencial Las Estancias, MX



Residential Las Estancias, MX